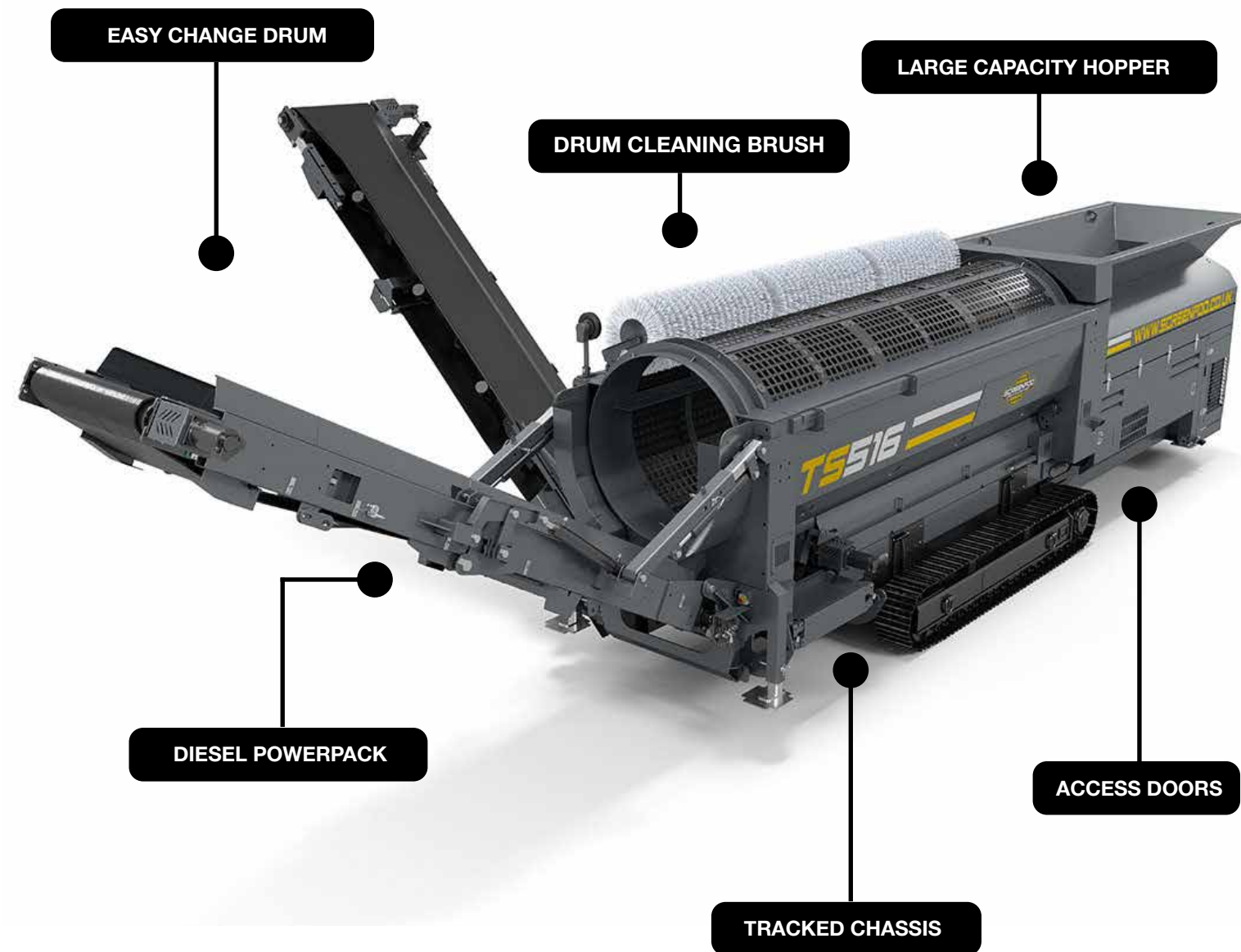
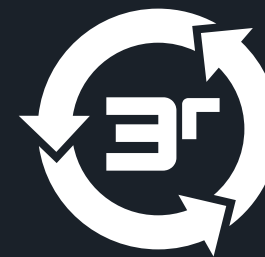




# SCREENPOD | TS516 TROMMEL SCREEN



1-800-465-3214



12611 Cain Circle, Houston, TX 77015 USA



[www.3rmachinery.com](http://www.3rmachinery.com)



[sales@3rmachinery.com](mailto:sales@3rmachinery.com)



Screenpod  
Mobile Trommel Screens  
[3r-Machinery.com](http://3r-Machinery.com)

# Screenpod | TS516

## Trommel Screen

### How it works

The Screenpod TS516 Trommel Screen is a reliable machine designed for material screening and separation across various industries. With a rotating drum and adjustable screens, it efficiently classifies materials, removing fines and oversized debris for smoother downstream processing. Ideal for construction, mining, and aggregate production, the TS516 offers exceptional versatility and durability.



### FEATURES

- Tier 3 - JCB444 DieselMax - ROW
- Tier 4F - JCB444 EcoMax IPU or Stage 5 CAT - USA
- Stage 5 - T.Deutz 2.9 L4 / CAT / JCB444 DieselMax - EU
- Screening drum 5.15m (16.9") long by 1.37m (4.7") diameter
- Aggressive drum RPM for better results
- Forward and reverse 4 wheel drive drum system
- Variable speed on screening drum and all conveyors
- Quick drum release and replace system
- Adjustable drum screening angle 0-4°

### BENEFITS

- Large screening drum design maximizes throughput and improves material separation efficiency.
- High drum speed increases productivity and reduces clogging for faster, cleaner screening results.
- Four-wheel-drive operation enhances traction and material control in both forward and reverse directions.
- Variable speed control allows precise adjustment of material flow and consistent, high-quality screening performance.
- Quick-release drum system simplifies servicing and drum changes, minimizing downtime and maximizing uptime.
- Adjustable screening angle enables customization for different materials, ensuring optimal performance across a range of applications.

### APPLICATIONS

- **Construction & Demolition Waste**
- Wood Recycling & Timber Production
- Commercial & Industrial Waste
- Household Waste
- RDF Production
- SRF Production
- Compost Production
- Plastics Recycling
- Paper & Cardboard Recycling



#### TS516 Dimensions & Weight

Length	13.37m (43' 8")
Width	6.37m (20' 9")
Height	3.15m (10' 3")
Weight	14,500kg (32,000lbs)