



World leader in vehicle de-pollution technology



**SEDA
MSL
S-51081**

MotoServiceLift



Your benefits:

- ✓ Suitable for all common bikes
- ✓ Simple and stable fastening of bikes
- ✓ Easy handling
- ✓ Safe and quick working progress
- ✓ Proven SEDA quality

The new SEDA MotoServiceLift (MSL) is a specially developed lifting device for motorbikes, which ensures perfect conditions for all kind of work on different motorbikes.

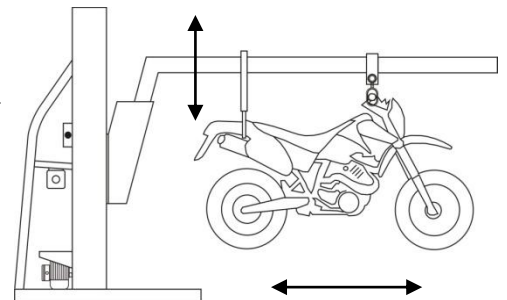
SEDA, leader in vehicle de-pollution technology, developed a completely new service lift especially for motorcycles.

The hydraulic lift is suitable for all service and repair work, as well as for the disassembly of parts and simulation tests for different types of motorcycles, for example enduro or street racing machines .

In combination with the first motorcycle drainage station, which is part of the SEDA MOTO product line, you get a complete SEDA MotoRecyclingSystem that offers the suction of all relevant liquids.

„Finally a good solution for the work with all motorbikes!
The stable fastening is the main advantage for my service garage!
Rainer Dagn
RMS Engineering GmbH

The SEDA MotoServiceLift is used by the **BMW Recycling Center** in Munich.



SEDA-Umwelttechnik GmbH

Schwendter Str. 10 / A-6345 Kössen/Tirol/Austria
UID-Nr.: ATU56621622 / FB-Nr.: FN 231790 v / FB-Gericht: Innsbruck
Certified company DIN EN ISO 9001

P: +43 5375 6318-0
F: +43 5375 6318-9
E: info@seda.at
Web: www.seda.at





World leader in vehicle
de-pollution technology



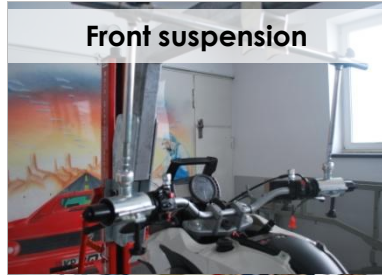
SEDA
MSL
S-51081

MotoServiceLift



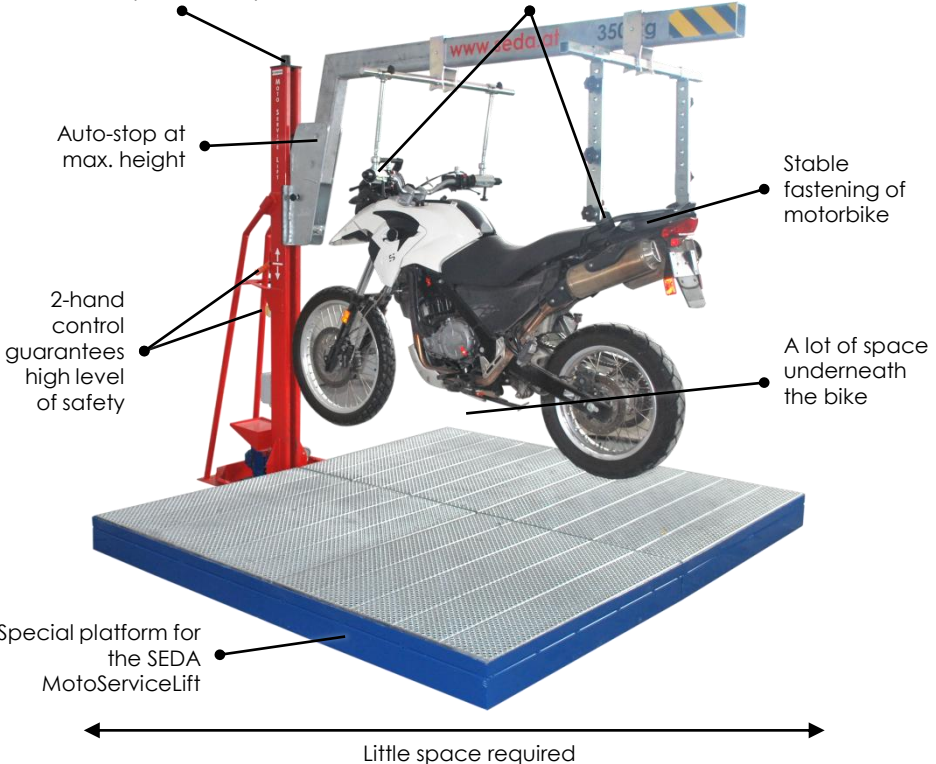
Check out all the main benefits of the new SEDA MotoServiceLift:

+ Your benefits:



Fast lifting and lowering time (15 seconds)

Flexible suspension device for all common motorbikes



TECHNICAL DETAILS

Lifting capacity max.: 350 kg
Lifting height max.: 1.000 mm
Lifting time: 15 Seconds
Lowering time: 15 Seconds
Dimension MSL: 233x100x290 cm
Weight: 150 kg
Power supply: 400 V, AC
Engine power: 1,1 kW

ORDER INFORMATION

SEDA MotoServiceLift
Motorbike Lifting Device
S-51081

Separate unit:
SEDA MotoRecyclingSystem
Complete station
S-51080

SEDA-Umwelttechnik GmbH

Schwendter Str. 10 / A-6345 Kössen/Tirol/Austria
 UID-Nr.: ATU56621622 / FB-Nr.: FN 231790 v / FB-Gericht: Innsbruck
 Certified company DIN EN ISO 9001

P: +43 5375 6318-0
F: +43 5375 6318-9
E: info@seda.at
Web: www.seda.at